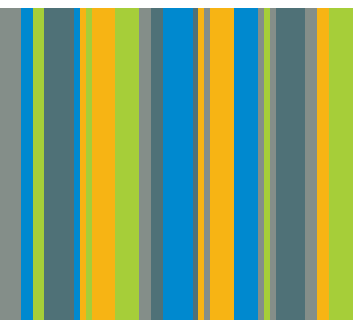




**Spare parts for
Spinning machines**



**SPINDLE BRAKES –
New generation for
small wharve diameters**

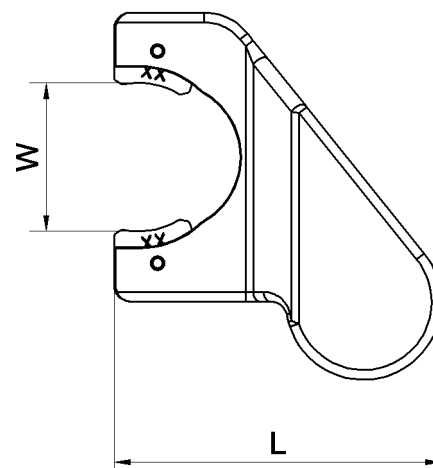
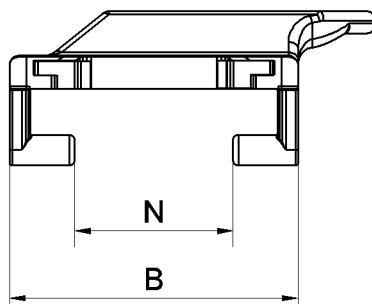
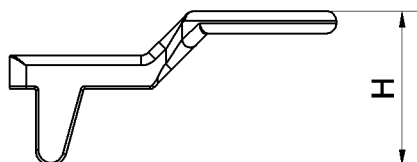


SPINDLE BRAKES – New generation for small wharve diameters



ADVANTAGES:

- Long operating life time
- Exchangeable brake segments
- Easy installation



Measurements Article no.	W	H	B	L	N
220-665 Ø 24 mm	24	28	52	59	28,5
220-666 Ø 26 mm	26	28	52	59	28,5
220-667 Ø 28 mm	28	28	52	59	28,5
220-663-grey Ø 29 mm for Toyota	29	26,5	52	57	28,5
220-663-blue Ø 29 mm for Toyota	29	26,5	52	57	28,5

Legrom GmbH

Kolpingstraße 9 | 74523 Schwäbisch Hall / Germany

For +49 (0) 791 / 956688-0

Fax +49 (0) 791 / 956688-10

Mail info@legrom.de

www.legrom.com